



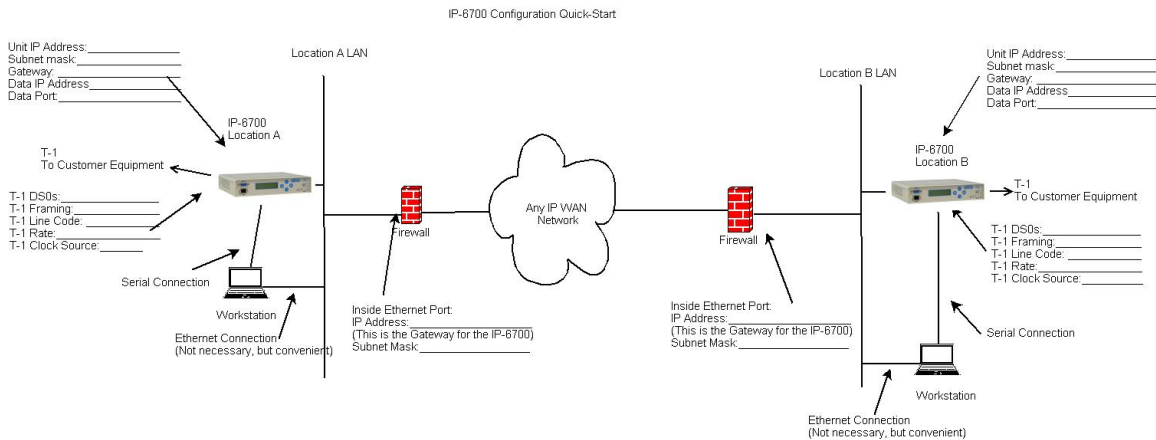
Data Comm for Business, Inc.
 2949 County Road 1000 E
 Dewey, IL 61840
 217-897-6600, FAX 217-897-1331
 Outside Illinois: 800-4DCBNET
<http://www.dcbnet.com>

Configuring the IP-6700 T-1 over IP Quick Start Guide

The IP-6700 is easily configured to transport up to 4 E-1 or T-1 signals with timing plus Ethernet traffic over an IP network. This is a cost effective way of migrating to an IP network from existing voice and data networks using existing TDM based equipment.

Although the IP-6700 may be used in point-to-multipoint (one to many), multiple-T-1, and other complex applications, this applications note describes configuring the unit for a simple point-to-point T-1 or fractional T-1 link using any IP path between the two IP-6700 units.

The information on the next page must be gathered prior to the configuration process. Default and commonly-used values may be used for other configuration variables. The firewalls must pass TCP/IP as well as UDP/IP packets destined for the IP-6700 addresses.



Overview Diagram

This diagram is available in a larger version on the last page of this applications note.

The IP-6700 cell bundle application note should also be consulted to determine the optimum bundle size for any given installation.



Data Comm for Business, Inc.
2949 County Road 1000 E
Dewey, IL 61840
217-897-6600, FAX 217-897-1331
Outside Illinois: 800-4DCBNET
<http://www.dcbnet.com>

For the Unit A end of the link:

IP address for the IP-6700 unit (uses TCP/IP):

IP address for the IP-6700 data transport (uses UDP/IP):

IP port number for that UDP traffic:

IP address for the gateway device(router):

Subnet mask for the IP-6700:

T-1 DS0s to transport (1-24 for the entire T-1):

Clock Source (Line-WAN, DTE interface, Internal, External)

Framing (D4 / DSF / ESF&T 1.403 / None):

Line Code (AMI/B8ZS):

Data Rate (Nx64 or Nx56):

IP Address for the workstation:

For the Unit B end of the link:

IP address for the IP-6700 unit (uses TCP/IP):

IP address for the IP-6700 data transport (uses UDP/IP):

IP port number for that UDP traffic:

IP address for the gateway device(router):

Subnet mask for the IP-6700:

T-1 DS0s to transport (1-24 for the entire T-1):

Clock Source (Line-WAN, DTE interface, Internal, External)

Framing (D4 / DSF / ESF&T 1.403 / None):

Line Code (AMI/B8ZS):

Data Rate (Nx64 or Nx56):

IP Address for the workstation:



Data Comm for Business, Inc.
 2949 County Road 1000 E
 Dewey, IL 61840
 217-897-6600, FAX 217-897-1331
 Outside Illinois: 800-4DCBNET
<http://www.dcbnet.com>

IP-6700 Configuration Quick-Start

