



VRC-1

RS-232 to V.35 Interface Converter



FEATURES

- Easy to install
- Speeds to 192 Kbps
- DB-25 RS-232 connector, M34 connector for V.35
- No switches to set
- Connects RS-232 DTE to V.35 DCE

DESCRIPTION

The DCB VRC-1 is an RS-232 to V.35 interface converter, ideal for use with the DCB SR and SPL series multiplexers. Other equipment that may be converted includes terminals, personal computers, bridges, routers, work stations, etc. The VRC-1 will work with any device that has an RS-232 interface and must connect to communications equipment with a V.35 interface.

The VRC-1 is powered by a wall mounted power supply and is designed to replace unreliable line signal powered interface converters. The VRC-1 will operate at data rates up to 192 Kbps. The VRC-1 has a DB-25 female connector for the RS-232 connection to terminal devices and a female M34 connector for connection to the V.35 communications device.

The VRC-1 is very easy to install. There are no switches to set, nothing to configure. Apply power, attach devices to be linked, and installation is complete. All standard control signals and clocks are converted. The single LED on the faceplate is the power indicator.

DCB VRC-1

SPECIFICATIONS

General

RS-232 to V.35 converter

DB-25 Female Connector for RS-232

M34 Female Connector for V.35

RS-232 connects to terminal devices (DTE)

V.35 connects to communications equipment (DCE)

Synchronous interface

Signals: Transmit Data, Receive Data,
Transmit Clock, Receive Clock, Request
to Send, Clear to Send, Data Set Ready,
Data Terminal Ready, Data Carrier
Detect, External Transmit Clock,
Ring Indicator

Indicator

Power

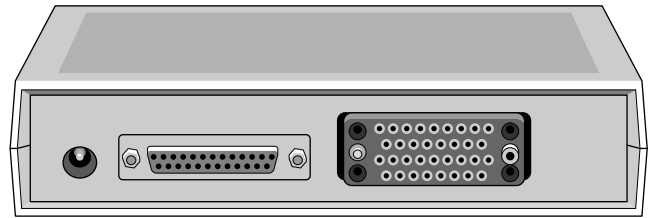
Physical/Electrical

120 VAC, 3 Watts

Wall mount power transformer

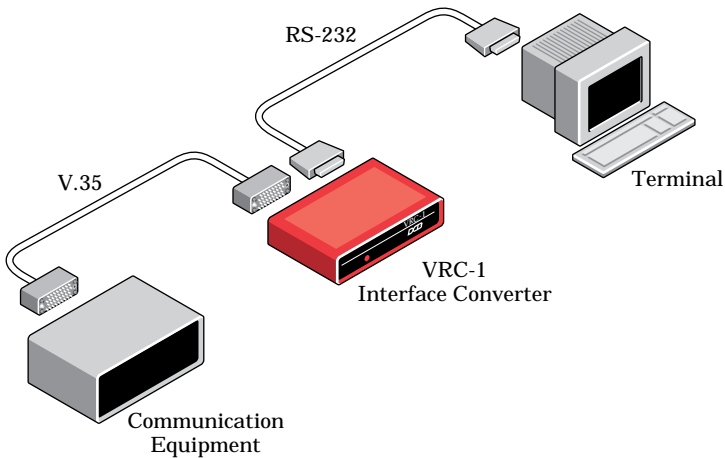
7" x 5¹/₄" x 1¹/₂"

1 lb



Rear view of DCB VRC-1

APPLICATION



DCB

Data Comm for Business, Inc.

807 Pioneer

Champaign, IL 61820

Voice 217.352.3207

800.4DCBNET

(800.432.2638)

Fax 217.352.0350

Email info@dcbnet.com

Web <http://www.dcbnet.com>