



**DATA COMM FOR BUSINESS**



**DCB, Inc.**  
**2949 CR 1000 E**  
**Dewey, Illinois**  
**61840**

217.897.6600 Tel  
800.432.2638 Toll Free  
217.897.1331  
[www.dcbnet.com](http://www.dcbnet.com)

## T-1 Tapping Bridge Box

- Supports up to two E1 or T1 lines
- Easy to install
- Compatible with all common T1/E1 interfaces
- Ideal for small scale CALEA T1 connections



The T1-Tap E1/T1 Tapping Bridge Box provides users an economical solution to monitor the dialogue between T1 or E1 networks. Through the small tapping bridge box, users can gain the complete data, transmitted between E1/T1 network devices, very easily without upsetting the impedance of the line. Each Tapping Bridge Box can support users to monitor up to two E1/T1 network devices (see the applications diagram for details).

Since this is a passive device, there is some signal loss on the pass-through T1 and the tapped signal level is lower as shown in published T1 specifications. Most monitoring and tapping applications should use our active T1 monitor tap, the T-Monitor, which has active DSX interface drivers and no insertion losses in the lines. See it's data sheet at <http://www.dcbnet.com/datasheet/tmonds.html> .

### SPECIFICATIONS

- Tag Loss Signal For T1, -1.05 dB
- Tag Loss Signal For E1, -1.25 dB
- Impedance For T1, 90 ohm
- Impedance For E1, 105 ohm
- Tapped Signal Power For T1, -18.9 dB
- Tapped Signal Power For E1, -17.5 dB

### Physical / Electrical

- Connector Screw down type (four)
- Dimensions 22 x 6 x 29 cm (WxHxD)
- Temperature 0 -50°C
- Humidity 0-95% RH (NON-CONDENSING)

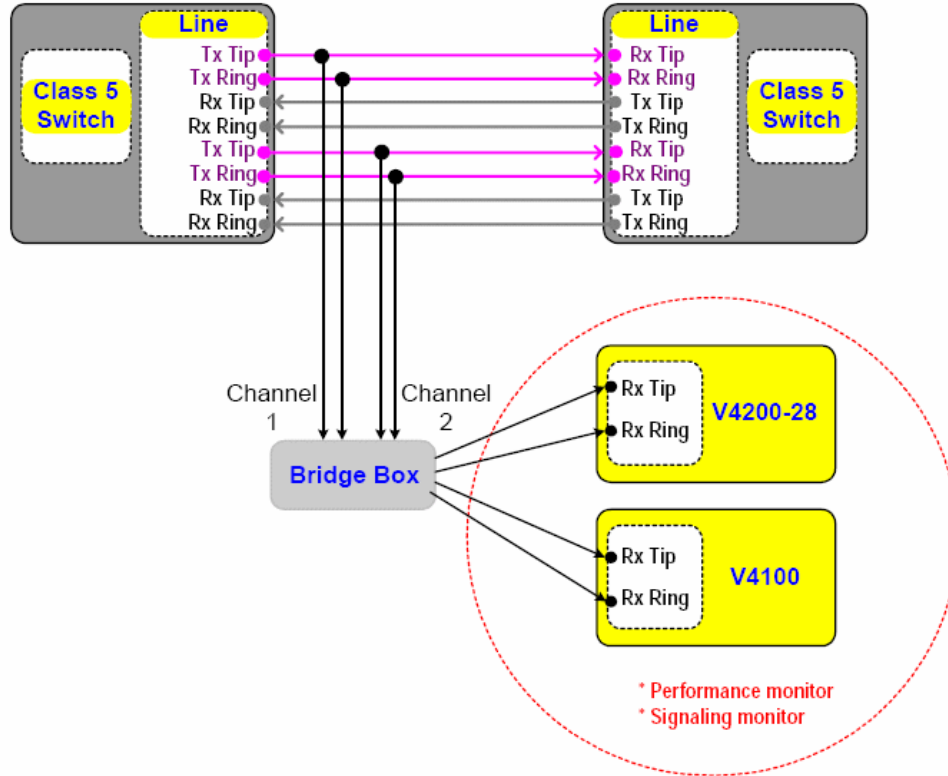


**DATA COMM FOR BUSINESS**



**DCB, Inc.**  
2949 CR 1000 E  
Dewey, Illinois  
61840

217.897.6600 Tel  
800.432.2638 Toll Free  
217.897.1331  
www.dcbnet.com



Application Drawing

Note that only two channels may be brought out of the box. This allows for bidirectional tapping from one T1/E1 line or single directional tapping from two T1/E1 lines. This device is not suitable for combining multiple T1/E1 transmit lines together.